

# Capsule Series Disposal Filters



## Product Introduction



Fintrafine capsule series disposal filter's compact design permits efficient filter change-out to reduce equipment down-time and maintenance costs. The easy change-out structure is suitable for high pure water or toxic chemical. It utilizes high purity polypropylene outer cage and center core which can enhance mechanical strength of filter. Each filter element is stamped with pore size, lot number and serial number for identification and traceability.

- Manufactured in a class 10,000 clean room
- Manufactured under a certified ISO 9001 quality system

## Product Specifications

### Materials of Construction

- Filter Media: Melt Blown Polypropylene, PES, PTFE
- Hardware: Polypropylene
- Sealing: Thermal Bond
- Support Material: Polypropylene

### Dimensions

- Outside Diameter: 2.7" (69mm)
- Inlet/Outlet: 1/4" PT, NPT, SW
- Vent: 1/8" PT, NPT  
1/4" SW
- Drain: 1/8" PT, NPT  
1/4" SW

## Performance Specifications

### Retention Ratings

- RFCP: 0.2, 0.45, 0.8, 1, 2, 3, 5, 10, 30, 100  $\mu\text{m}$
- RFCS: 0.04, 0.1, 0.2, 0.45, 0.8, 1.2  $\mu\text{m}$  Absolute
- RFCF: 0.05, 0.1, 0.2  $\mu\text{m}$  Absolute

### Operating Conditions

- Maximum Operating Pressure:  
60 psid (4.1 bar) @ 77°F (25°C)
- Maximum Operating Temperature: 140°F (60°C)

### FDA Listed Materials

Manufactured from materials which are FDA listed for food contact applications in Title 21 of the U.S. Code of Federal Regulations.

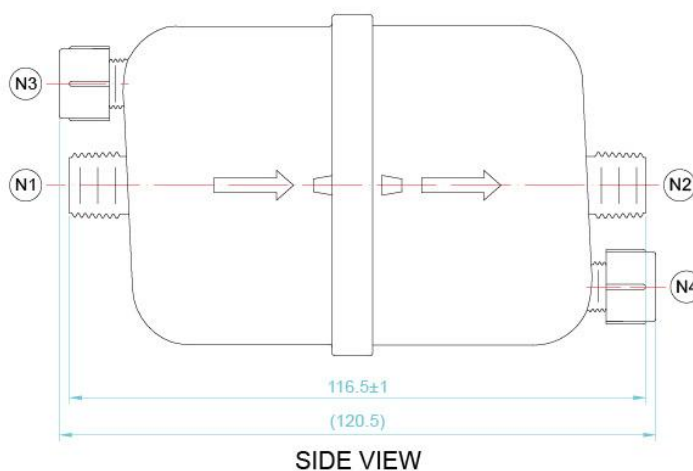
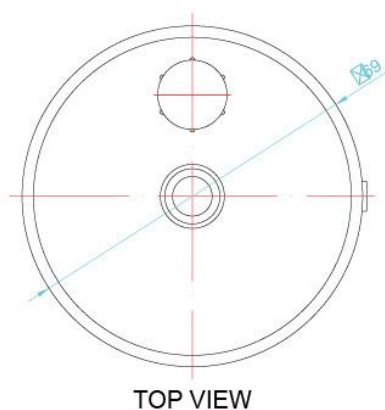
### Purity

Capsule series filters are free of resins, binders and adhesives.



## Toxicity

All polypropylene components meet the specifications for biological safety as per the USP for Class VI-121°C plastics. (gaskets/o-rings excluded)



Capsule Type	N1	N2	N3	N4
Capsule SW	1/4" SW	1/4" SW	1/4" SW	1/4" SW
Capsule PT	1/4" PT	1/4" PT	1/8" PT	1/8" PT
Capsule NPT	1/4" NPT	1/4" NPT	1/8" NPT	1/8" NPT

## Ordering Information

RFCP	0.2-	1/4	TN
Product Name	Retention Rating	Inlet/Outlet Connection	Connection Type
RFCP (PP)	0.2, 0.45, 0.8, 1, 2, 3, 5, 10, 30, 100 µm		
RFCS (PES)	0.04, 0.1, 0.2, 0.45, 0.8, 1.2 µm	1/4=1/4"	SW=Swagelok Connection TP=PT Thread TN=NPT Thread
RFCF (PTFE)	0.05, 0.1, 0.2 µm		