

CSV Series Filter Housings



Product Introduction

Filtrafine CSV series filter housing is compatible with Filtrafine FasClean-Flow filter cartridge to attain high flow service and longer life time in TFT-LCD G7 and G8 applications. The CSV series filter housing is available in 304, 316 or 316L stainless steel material of construction for maximum corrosive resistance. The housing inlet and outlet connections are aligned in T-style for quick and easy installation. Friendly tri-clamp closure provides positive sealing with fast cartridge change-out.

- Manufactured under a certified ISO 9001 quality system

Product Specifications

Materials of Construction

- Head: 304, 316 or 316L Stainless Steel
- Shell: 304, 316 or 316L Stainless Steel
- Clamp: 304 Stainless Steel
- O-rings: EPDM (standard)
Silicone, Teflon Encapsulated Viton, Viton (optional)

Dimensions

- Inlet/Outlet: 2"
- Connection Types: ANSI, JIS, and DIN Flange
NPT, BSP, and PT Thread
Union
- Vent : 1/2" NPT
- Drain: 1/2" NPT

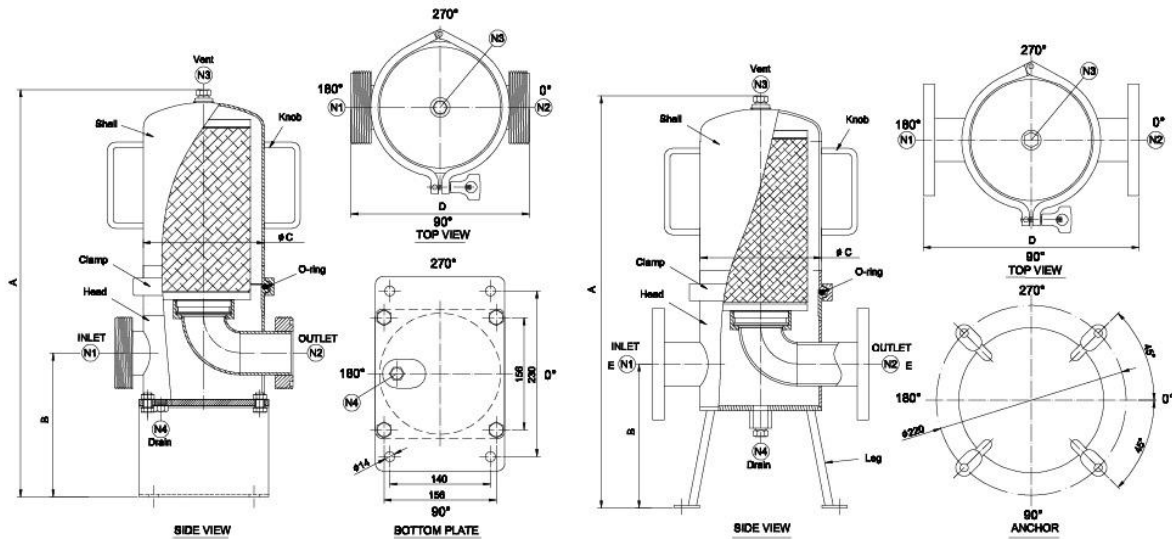
Performance Specifications

Maximum Operating Pressure

150 psig (10.3 bar) @ 77°F (25°C) in liquid service



Model	Dimension Inch (mm)				
	A	B	øC	D	E
CSV	26.7(566)	9.4(200)	6.6" (ø168)	14.1(300)	2"



Ordering Information

CSV	1	A-	2	TN-	CB
Product Name	Cartridge Length	Material of Construction	Inlet/Outlet Connection Size	Connection Type	Tri-Clamp Bracket
CSV	1=10"	A=304SS S=316SS SL=316LSS	2"	FA=ANSI Flange FJ=JIS Flange FD=DIN Flange TN=NPT Thread TP=PT Thread TB=BSP Thread UN=Union	CB