

# TKF Series Filter Housings



## Product Introduction

Filtrafine TKF series stainless steel multi-cartridge filter housing provides high quality for many industrial applications, such as chemical filtration, pre-filtration for RO system, food and beverage system, point of use filter and so on. The TKF series is designed with a proven swing eye-bolt closure mechanism to ensure sealing. TKF series filter housing is constructed of 304, 316 or 316L stainless steel material, it gives excellent resistance of corrosion for product purity. TKF series housing is compatible with 3, 5, 7, 9, 12, 18, 22, 28 rounds and 10" to 40" length filter cartridges.

- Extra electro-polish finish for special requirement (optional)
- Manufactured under a certified ISO 9001 quality system
- ASME Code U/UM stamp (optional)

## Product Specifications

### Materials of Construction

- Head: 304 or 316 Stainless Steel
- Shell: 304 or 316 Stainless Steel
- Swing Eye Bolts: 304 or 316 Stainless Steel
- O-rings: EPDM (standard)  
Silicone, Teflon Encapsulated Viton, Viton (optional)

### Dimensions

- Inlet/Outlet: 1.5", 2", 3", 4"

O. D. 10" ↓ Shell	O. D. 12" ↑ Shell
Vent: 1/4"	Vent: 3/4"
Drain: 3/4"	Drain: 1 1/2"

- Connection Types: ANSI, JIS, and DIN Flange  
NPT, BSP, and PT Thread
- Vent : 1/4" NPT
- Drain: 3/4" NPT
- Gauge : 1/4" NPT

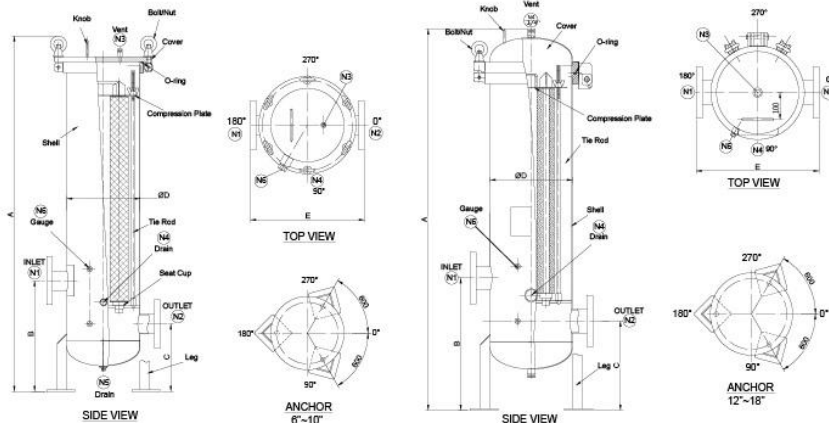
## Performance Specifications

### Maximum Operating Pressure

150 psig (10.3 bar) @ 77°F (25°C) in liquid service



Model	No. of Element	Max. Liquid Flow Rate gpm(lpm)	Dimension Inch (mm)					Maximum Cartridge Diameter Inch (mm)	Weight lbs(kg)
			A	B	ØC	D	E		
3TKF1-1.5	3	15(57)	27.2"(693)	13.9"(355)	7.87"(200)	6"(168)	12.4"(315)	2.67"(68)	32.6(14.8)
6TKF2-1.5	3	30(114)	37.2"(947)	13.9"(355)	7.87"(200)	6"(168)	12.4"(315)	2.67"(68)	36.2(16.4)
9TKF3-1.5	3	60(171)	47.2"(1201)	13.9"(355)	7.87"(200)	6"(168)	12.4"(315)	2.67"(68)	39.5(17.9)
5TKF1-2	5	25(95)	29.5"(751)	15.9"(405)	9.84"(250)	8"(219)	14.4"(368)	2.67"(68)	48.5(22)
10TKF2-2	5	50(190)	39.5"(1005)	15.9"(405)	9.84"(250)	8"(219)	14.4"(368)	2.67"(68)	53.4(24.2)
15TKF3-2	5	75(285)	49.5"(1259)	15.9"(405)	9.84"(250)	8"(219)	14.4"(368)	2.67"(68)	60.0(27.2)
20TKF4-2	5	100(380)	59.5"(1513)	15.9"(405)	9.84"(250)	8"(219)	14.4"(368)	2.67"(68)	64.8(29.4)
7TKF1-2	7	35(133)	33.3"(848)	18.8"(480)	12.7"(325)	9"(233)	14.9"(380)	2.67"(68)	56.4(25.6)
14TKF2-2	7	70(266)	43.3"(1102)	18.8"(480)	12.7"(325)	9"(233)	14.9"(380)	2.67"(68)	61.9(28.1)
21TKF3-2	7	100(399)	53.3"(1356)	18.8"(480)	12.7"(325)	9"(233)	14.9"(380)	2.67"(68)	68.3(31)
28TKF4-2	7	125(532)	63.3"(1610)	18.8"(480)	12.7"(325)	9"(233)	14.9"(380)	2.67"(68)	73.9(33.5)
27TKF3-2.5	9	135(513)	51.8"(1316)	16.1"(410)	9.84"(250)	10"(272)	16.6"(422)	2.67"(68)	90.6(41.1)
36TKF4-2.5	9	180(684)	61.8"(1570)	16.1"(410)	9.84"(250)	10"(272)	16.6"(422)	2.67"(68)	98.1(44.5)
24TKF2-3	12	120(456)	42.4"(1078)	19.2"(490)	13"(330)	12"(305)	18"(455)	2.67"(68)	104.1(47.2)
36TKF3-3	12	180(684)	52.4"(1332)	19.2"(490)	13"(330)	12"(305)	18"(455)	2.67"(68)	112.7(51.1)
48TKF4-3	12	240(912)	62.4"(1586)	19.2"(490)	13"(330)	12"(305)	18"(455)	2.67"(68)	121.3(55)
36TKF2-3	18	180(684)	47.3"(1203)	21"(535)	13.7"(350)	14"(355)	19.8"(504)	2.67"(68)	121.5(55.1)
54TKF3-3	18	270(1026)	57.3"(1457)	21"(535)	13.7"(350)	14"(355)	19.8"(504)	2.67"(68)	131.0(59.4)
72TKF4-3	18	360(1368)	67.3"(1711)	21"(535)	13.7"(350)	14"(355)	19.8"(504)	2.67"(68)	140.7(63.8)
44TKF2-4	22	220(836)	49.8"(1266)	15.3"(390)	9.1"(230)	16"(406)	21.8"(556)	2.67"(68)	159.0(72.1)
66TKF3-4	22	330(1254)	59.8"(1520)	15.3"(390)	9.1"(230)	16"(406)	21.8"(556)	2.67"(68)	172.8(78.4)
88TKF4-4	22	440(1672)	69.8"(1774)	15.3"(390)	9.1"(230)	16"(406)	21.8"(556)	2.67"(68)	186.5(84.6)
56TKF2-4	28	280(1064)	50.5"(1284)	24.6"(625)	15.7"(400)	18"(456)	23.8"(606)	2.67"(68)	192.2(87.2)
84TKF3-4	28	420(1596)	60.5"(1538)	24.6"(625)	15.7"(400)	18"(456)	23.8"(606)	2.67"(68)	207.9(94.3)
112TKF4-4	28	560(2128)	70.5"(1792)	24.6"(625)	15.7"(400)	18"(456)	23.8"(606)	2.67"(68)	223.3(101.3)



## Ordering Information

No. of 10" Equiv.	Product Name	Cartridge Length	Material of Construction	Inlet/Outlet Connection Size	Connection Type	Code	Pressure Rating (psig)	Cartridge Type	Option	ASME Stamp
3~112	TKF	1=10" 2=20" 3=30" 4=40"	A=304SS S=316SS SL=316LSS	1.5", 2", 3", 4"	FA=ANSI Flange FJ=JIS Flange FD=DIN Flange TN=NPT Thread TP=PT Thread TB=BSP Thread	Blank=None Code C=ASME Code	Blank=None 150	DOE=Double Open End Code 3=222 / Flat Code 8=222 / Fin Code 7=226 / Fin, Bayonet	Blank=None Code EP=Electro-polished P=Mechanical polished	Blank=None Code U=U Stamp UM=UM Stamp