

MSV Series Filter Housings



Product Introduction

Filtrafine MSV series stainless steel multi-cartridge filter housing provides high-volume solutions for high flow applications. The MSV series housing is compatible with 12 to 147 rounds and 10" to 40" length filter cartridges for various flow rate demand. The MSV series is designed with a proven swing eye-bolt closure mechanism to ensure sealing and provides user friendly davit arm assisted cover lifting mechanism. MSV series filter housing is constructed of 304, 316 or 316L stainless steel material, and it gives excellent resistance of corrosion for product purity.

- Manufactured under a certified ISO 9001 quality system
- ASME Code U/UM stamp (optional)

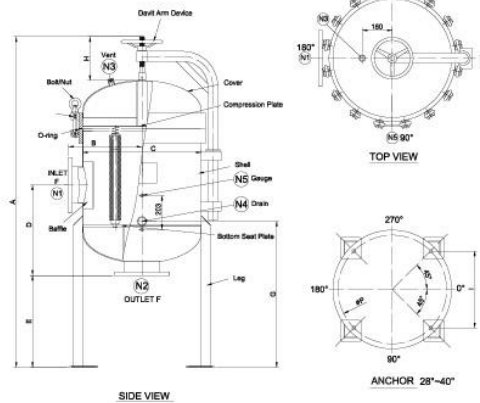
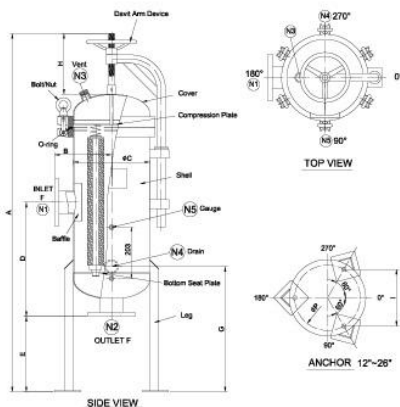
Product Specifications

Materials of Construction

- Head and Shell: 304 or 316 Stainless Steel
- Connections: 304 or 316 Stainless Steel
- Internal Components: 304 or 316 Stainless Steel
- Swing Eye Bolts: 304 Stainless Steel
- O-rings: EPDM (standard)
Silicone, Teflon Encapsulated Viton, Viton (optional)

Dimensions

- Inlet/Outlet: 3", 4", 6", 8", 10", 12"
- Connection Types: ANSI, JIS, and DIN Flange
- Vent : 1" NPT
- Drain: 1.5" NPT
- Gauge: 1/4" NPT





Performance Specifications

Maximum Operating Pressure

150 psig (10.3 bar) @ 77°F (25°C) in liquid service

Elements	A	B	ØC	D	E	F	G	H	ØP	I	Legs
12 Elements	56.3" (1428)										
24MSV2	57.3" (1456)										
36MSV3	66.2" (1682)	9.0" (228)	12" (305)	17.9" (455)	11.8" (300)	3"	19.6" (499)	9.5" (242)	10.2" (261)	8.9" (227)	3
48MSV4	79.0" (1996)										
18 Elements	57.3" (1456)										
36MSV2	57.3" (1456)										
54MSV3	67.3" (1710)	10" (253)	14" (355)	18.2" (462)	11.8" (300)	3"	20.1" (512)	9.5" (242)	12.4" (314)	10.3" (272)	3
72MSV4	77.3" (1964)										
22 Elements	60.7" (1543)										
44MSV2	60.7" (1543)										
66MSV3	70.7" (1797)	10.9" (278)	16" (406)	18.8" (478)	13.8" (350)	4"	22.7" (577)	9.5" (242)	14.3" (365)	12.4" (316)	3
88MSV4	80.7" (2051)										
28 Elements	62.1" (1578)										
56MSV2	62.1" (1578)										
84MSV3	72.1" (1832)	11.9" (303)	18" (456)	19.2" (488)	13.8" (350)	4"	23.3" (594)	9.5" (242)	16.3" (415)	14.1" (359)	3
112MSV4	82.1" (2086)										
36 Elements	68.8" (1749)										
72MSV2	68.8" (1749)										
108MSV3	78.8" (2003)	13.9" (329)	20" (508)	19.6" (498)	13.8" (350)	6"	28.4" (722)	10.3" (262)	16.9" (430)	14.6" (373)	3
144MSV4	88.8" (2257)										
42 Elements	68.4" (1738)										
84MSV2	68.4" (1738)										
126MSV3	80.1" (2037)	13.9" (354)	22" (558)	20" (512)	17.7" (450)	6"	29.0" (738)	10.3" (262)	18.9" (481)	16.4" (417)	3
168MSV4	90.1" (2291)										
52 Elements	71.2" (1811)										
104MSV2	71.2" (1811)										
156MSV3	81.2" (2065)	14.9" (379)	24" (608)	20.5" (520)	17.7" (450)	6"	29.4" (749)	10.3" (262)	20.9" (531)	18.1" (460)	3
208MSV4	91.2" (2319)										
61 Elements	72.4" (1841)										
122MSV2	72.4" (1841)										
183MSV3	82.4" (2095)	15.9" (404)	26" (658)	20.8" (529)	17.7" (450)	6"	29.9" (761)	10.3" (262)	22.9" (582)	19.8" (504)	3
244MSV4	92.4" (2349)										

Elements	A	B	ØC	D	E	F	G	H	ØP	I	Legs
69 Elements	77.2" (1976)										
138MSV2	77.2" (1976)										
207MSV3	87.2" (2230)	17.3" (440)	28" (710)	21.2" (539)	21.7" (550)	8"	34.3" (873)	10.3" (262)	25.5" (650)	18.1" (460)	4
276MSV4	97.2" (2484)										
81 Elements	79.0" (2009)										
162MSV2	79.0" (2009)										
243MSV3	89.0" (2263)	18.3" (465)	29.9" (760)	21.7" (551)	21.7" (550)	8"	35" (899)	10.3" (262)	29.9" (760)	19.4" (495)	4
324MSV4	99.0" (2517)										
94 Elements	80" (2032)										
188MSV2	80" (2032)										
282MSV3	89.4" (2273)	19.3" (490)	32" (810)	22.1" (561)	21.7" (550)	8"	35.4" (901)	10.3" (262)	29.5" (750)	20.8" (530)	4
376MSV4	100" (2540)										
105 Elements	86.1" (2189)										
210MSV2	86.1" (2189)										
315MSV3	96.1" (2443)	20.8" (530)	33.8" (860)	23.1" (586)	26.0" (660)	10"	40.8" (1038)	10.3" (262)	31.4" (799)	22.2" (565)	4
420MSV4	106.1" (2697)										
119 Elements	90.5" (2299)										
238MSV2	90.5" (2299)										
357MSV3	100.5" (2553)	21.9" (556)	36.0" (912)	23.8" (605)	26.0" (660)	10"	41.7" (1060)	12.8" (326)	32.0" (814)	22.6" (575)	4
476MSV4	110.5" (2807)										
131 Elements	96.1" (2443)										
262MSV2	96.1" (2443)										
393MSV3	106.1" (2696)	23.7" (601)	38.0" (962)	24.6" (626)	29.9" (760)	12"	46.0" (1169)	12.8" (326)	34.0" (864)	24.0" (611)	4
524MSV4	116.1" (2950)										
147 Elements	97.1" (2469)										
294MSV2	97.1" (2469)										
441MSV3	107.1" (2722)	24.6" (626)	39.8" (1012)	25.0" (636)	29.9" (760)	12"	47.0" (1195)	12.8" (326)	35.9" (914)	25.4" (647)	4
588MSV4	117.1" (2976)										

Ordering Information

No. of 10" Equiv.	Product Name	Cartridge Length	Material Construction	Inlet/Outlet Connection Size	Connection Type	Davit Arm Assembly	Flange Type	Code	Pressure Rating (psig)	Cartridge Type	Option	ASME Stamp
24, 36, 54, 66, 108, 156, 276, ..., 588	MSV	2=20" 3=30" 4=40"	304=304SS 316=316SS 316L=316LSS	3", 4", 6" 8", 10", 12"	F=Flange	Standard	A=ANSI J=JIS D=DIN	NC=None Code C=ASME Code	150	DOE=Double Open End Code 3=222 / Flat Code 8=222 / Fin Code 7=226 / Fin, Bayonet	Blank=None P=Mechanical polished	Blank=None Code U=U Stamp UM=UM Stamp