

EJ Series Filter Housings



Product Introduction

Filtrafine EJ series filter housing has superior chemical compatibility which could be widely used in various industrial applications. EJ series housing has two materials, EJ-P - 100% Polypropylene and EJ-C - Clear Styrene Acrylonitrile Shell, which offers visual confirmation of a positive cartridge and housing sealing. EJ series offers standard 10" length for double open end or code 10 filter cartridge.

- Materials are FDA listed
- Manufactured under a certified ISO 9001 and ISO 14001 quality system

Product Specifications

Materials of Construction

- Head: Reinforced Polypropylene
- Bowl: Styrene Acrylonitrile (Clear), Polypropylene (Opaque)
- Mounting Bracket: Polypropylene
- O-rings: Buna-N (standard) EPDM, Viton (optional)

Dimensions

Inlet/Outlet: 3/4" PT or 3/4" NPT

Performance Specifications

Maximum Operating Pressure

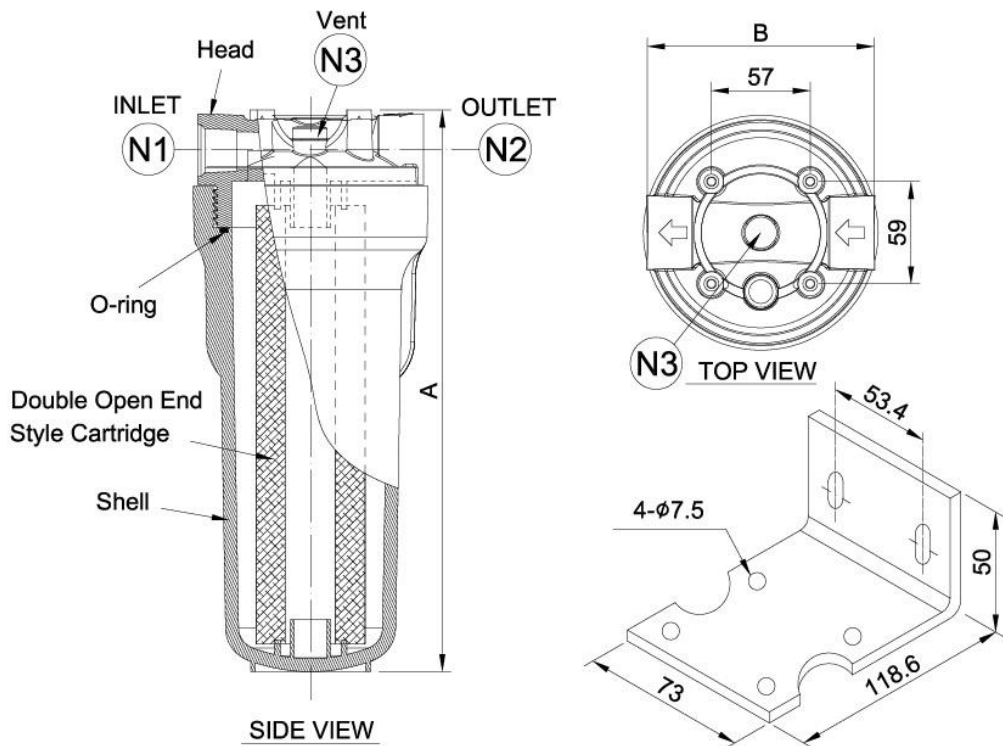
150 psig (10 bar) @ 77°F (25°C) in liquid service

FDA Listed Materials

Manufactured from materials which are FDA listed for food contact applications in Title 21 of the U.S. Code of Federal Regulations.



Model	Max. Liquid Flow Rate gpm (lpm)	Dimension Inch (mm)					Weight lbs (kg)
		A	B	N1	N2	N3	
EJ10P-3/4	10 (37.9lpm)	12.7"(324)	5.2"(131)	3/4"	3/4"	1/4"	2.5lbs (1.15kg)
EJ10C-3/4	10 (37.9lpm)	12.7"(324)	5.2"(131)	3/4"	3/4"	1/4"	2.8lbs (1.27kg)



Ordering Information

Product Name	Cartridge Length	Material of Construction	Inlet/Outlet Connection Size	Connection Type	Cartridge Type
EJ	10	P=Polypropylene C=Styrene Acrylonitrile (Bowl), Polypropylene (Head)	3/4"	TN=NPT Thread TP=PT Thread	DOE=Double Open End