

IDV-3 Series Filter Housings

Product Introduction



Filtrafine single-round filter cartridge housing IDV-3 series is renowned with its innovative housing design and superior quality. IDV-3 series filter housing is available in electro-polished stainless steel 316 to meet a wide range of liquid processing applications. The tri-clamp design provides absolute cartridge sealing to avoid fluid bypass and quick cartridge change-out without any special tools. The robust IDV-3 design has no internal part and can accommodate 222 o-ring, flat closed end cartridge.

- Manufactured under a certified ISO 9001 quality system

Product Specifications

Materials of Construction

- Head: 316 Stainless Steel
- Shell: 316 Stainless Steel
- Mounting Bracket: 304 Stainless Steel
- O-rings: Viton (standard)
EPDM, Teflon Encapsulated Viton (optional)

Dimensions

- Inlet/Outlet: 3/4", 1" FNPT
- Vent/Gauge: 1/8" FNPT
- Drain: 1/4" FNPT

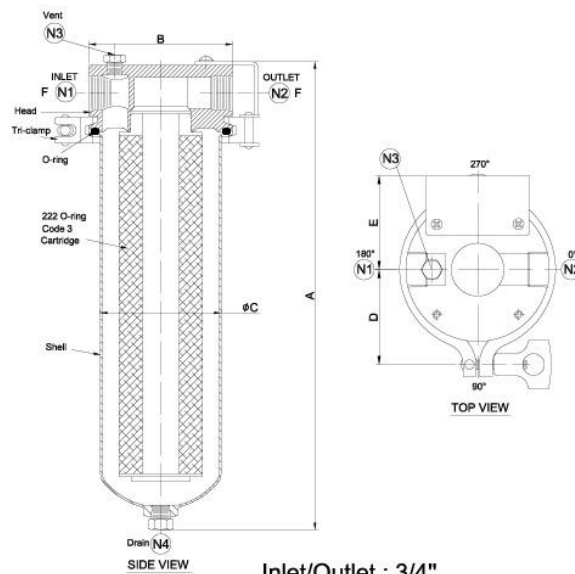
Performance Specifications

Maximum Operating Pressure

175 psid (12.1 bar) @ 77°F (25°C) in liquid service



Model	Max. Liquid Flow Rate gpm (lpm)	Dimension Inch (mm)						Weight lbs (kg)
		A	B	∅C	D	E	F	
IDV4S	4 (15.1lpm)	7.5"(193)	4.2"(106)	3"(89)	2.7"(70)	2.7"(69)	3/4"	8.6lbs (3.9kg)
IDV10S	10 (37.9lpm)	13.5"(345)	4.2"(106)	3"(89)	2.7"(70)	2.7"(69)	3/4"	10.1lbs (4.6kg)
IDV20S	20 (75.7lpm)	23.7"(604)	4.2"(106)	3"(89)	2.7"(70)	2.7"(69)	3/4"	12.6lbs (5.7kg)
IDV30S	30 (113.5lpm)	33.5"(853)	4.2"(106)	3"(89)	2.7"(70)	2.7"(69)	3/4"	15.2lbs (6.9kg)
IDV4S	4 (15.1lpm)	7.8"(200)	4.2"(106)	3"(89)	2.7"(70)	2.7"(69)	1"	8.6lbs (3.9kg)
IDV10S	10 (37.9lpm)	13.8"(353)	4.2"(106)	3"(89)	2.7"(70)	2.7"(69)	1"	10.1lbs (4.6kg)
IDV20S	20 (75.7lpm)	23.8"(607)	4.2"(106)	3"(89)	2.7"(70)	2.7"(69)	1"	12.6lbs (5.7kg)
IDV30S	30 (113.5lpm)	33.6"(855)	4.2"(106)	3"(89)	2.7"(70)	2.7"(69)	1"	15.2lbs (6.9kg)



Ordering Information

IDV	10	S-	3/4	TN-	CB-	3
Product Name	Cartridge Length	Material of Construction	Inlet/Outlet Connection Size	Connection Type	Tri-Clamp Bracket	Cartridge Type
IDV	4=4" 10=10" 20=20" 30=30"	A=304SS S=316SS	3/4", 1"	TN=NPT Thread TP=PT Thread TB=BSP Thread	CB=Tri-Clamp Bracket	Code 3= 222 / Flat