

# IDV-6 Series Filter Housings



## Product Introduction

Filtrafine IDV-6 series is a single cartridge housing which can accommodate Filtrafine Mega-Flow series filter cartridge. IDV-6 is specially designed to meet the critical requirements in TFT-LCD industry. In addition, IDV-6 series is available in electro-polished stainless steel 316 to meet a wide range of liquid filtration applications. The tri-clamp closure design provides absolute cartridge sealing to avoid fluid bypass and change out cartridge quickly without any tools. The robust IDV-6 series filter housing has no internal part and can accommodate 10" or 20" length, 226 o-ring, flat closed end cartridge.

- Manufactured under a certified ISO 9001 quality system

## Product Specifications

### Materials of Construction

- Head: 316 Stainless Steel
- Shell: 316 Stainless Steel
- Mounting Bracket: 304 Stainless Steel
- O-rings: Viton (standard)  
EPDM, Teflon Encapsulated Viton (optional)

### Dimensions

- Inlet/Outlet: 1" FNPT
- Vent/Gauge: 1/8" FNPT
- Drain: 1/4" FNPT

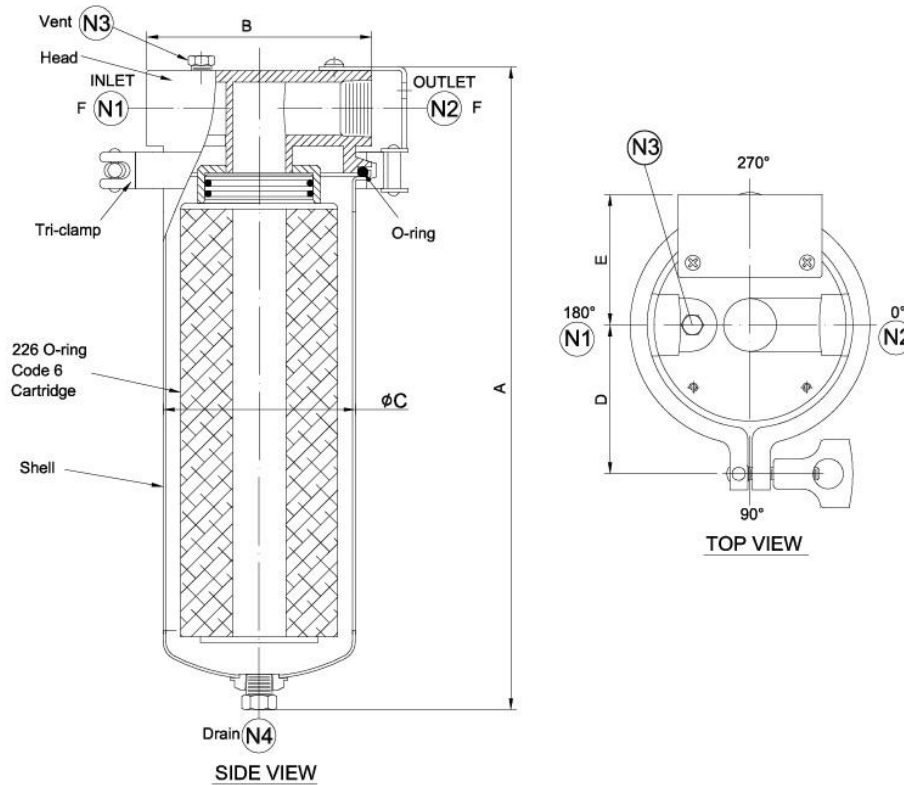
## Performance Specifications

### Maximum Operating Pressure

175 psid (12.1 bar) @ 77°F (25°C) in liquid service



Model	Max. Liquid Flow Rate gpm (lpm)	Dimension Inch (mm)						Weight lbs (kg)
		A	B	øC	D	E	F	
IDV10S-1	20 (75.7lpm)	13"(332)	4.7"(119)	3.5"(101)	3.1"(79)	2.7"(69)	1"	8.6lbs (3.9kg)
IDV20S-1	40 (151.4lpm)	23.1"(586)	4.7"(119)	3.5"(101)	3.1"(79)	2.7"(69)	1"	10.1lbs (4.6kg)



## Ordering Information

IDV	10	S-	1	TN-	CB-	6
Product Name	Cartridge Length	Material of Construction	Inlet/Outlet Connection Size	Connection Type	Tri-Clamp Bracket	Cartridge Type
IDV	10=10" 20=20"	S=316SS	1"	TN=NPT Thread TP=PT Thread TB=BSP Thread	CB=Tri-Clamp Bracket	Code 6= 226 / Flat