

SVS-DOE Series Filter Housings



Product Introduction

Filtrafine SVS-DOE series is single metal cartridge housing which are available in 304 or 316 stainless steel to service a wide range of liquid filtration applications. The SVS-DOE series equips superior T-handle closure design to allow cartridge change-out without any tools. The SVS-DOE self-adjusting sealing design provides positive filter sealing to non-compressible cartridge for wider range of cartridge configuration.

- Manufactured under a certified ISO 9001 quality system

Product Specifications

Materials of Construction

- Head: 304 Stainless Steel, 316 Stainless Steel
- Shell: 304 Stainless Steel, 316 Stainless Steel
- Mounting Bracket: 304 Stainless Steel
- O-rings: Viton (standard)
EPDM, Teflon Encapsulated Viton (optional)

Dimensions

- Inlet/Outlet: 1/2", 3/4", 1" FNPT
- Vent/Gauge: 1/8" FNPT
- Drain: 1/4" FNPT

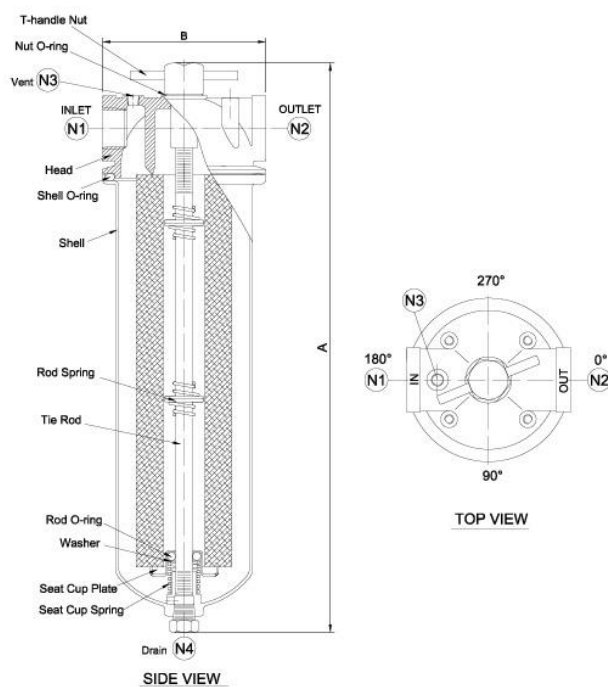
Performance Specifications

Maximum Operating Pressure

175 psid (12.1 bar) @ 77°F (25°C) in liquid service



Model	Max. Liquid Flow Rate gpm (lpm)	Dimension Inch (mm)	
		A	B
SVS4S	4 (15.1lpm)	8.5"(217)	4.2"(106)
SVS10S	10 (37.9lpm)	14.5"(369)	4.2"(106)
SVS20S	20 (75.7lpm)	24.5"(623)	4.2"(106)
SVS30S	30 (113.6lpm)	34.5"(877)	4.2"(106)



Ordering Information

Product Name	Cartridge Length	Material of Construction	Inlet/Outlet Connection Size	Connection Type	Cartridge Type
SVS	4=4" 10=10" 20=20" 30=30"	A=304SS S=316SS	1/2", 3/4", 1"	TN=NPT Thread TP=PT Thread TB=BSP Thread	DOE=Double Open End