

SDV Series Sanitary Filter Housings



Product Introduction

Filtrafine SDV series sanitary filter housing is an innovative product for food and beverage industry, pharmaceutical industry and any high end industry which requires high purity in fluid. The SDV series is made of 0.25RA electro-polished 316 or 316L stainless steel for durability and ensure optimal cleanability in critical area while maintaining cost effectiveness. The SDV series is available in either single or multiple cartridge housings, also comes in 10" to 40" to meet various needs in your application.

- Manufactured under a certified ISO 9001 quality system
- ASME Code U/UM stamp (optional)

Product Specifications

Materials of Construction

- Head: 316 or 316L Stainless Steel
- Shell: 316 or 316L Stainless Steel
- Leg/Clamp: 304 Stainless Steel
- O-rings: Silicone (standard)
EPDM, Teflon Encapsulated Viton, Viton (optional)

Dimensions

- Inlet/Outlet: 1", 2", 3" Ferrule Ends
- Vent : 1/2" Ferrule End

* If you need over 12 rounds cartridge housing, please contact with your Filtrafine representative.

Performance Specifications

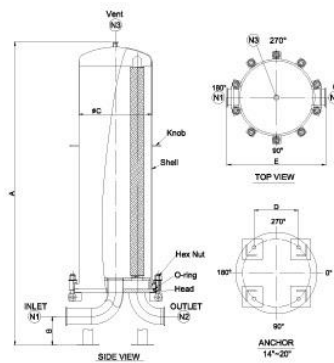
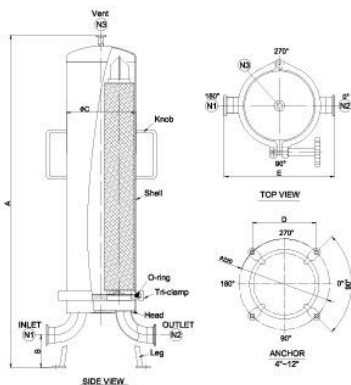
Maximum Operating Pressure

150 psig (10.3 bar) @ 77°F (25°C) in liquid service



Model	No. of Element	Inlet/Outlet Inch (mm)	Dimension Inch (mm)					Maximun Cartridge Diameter Inch (mm)
			A	B	C	D	E	
1SDV1-1	1	1"(25.4)	20"(509)					
2SDV2-1	1	1"(25.4)	30"(763)	2.5"(65)	4"(102)	4.1"(105)	7.4"(188)	2.67"(68)
3SDV3-1	1	1"(25.4)	40"(1017)					
4SDV4-1	1	1"(25.4)	50"(1271)					
3SDV1-1.5	3	1.5"(38.1)	22.4"(570)					
6SDV2-1.5	3	1.5"(38.1)	32.4"(824)	3.1"(80)	6"(169)	6.2"(156)	10.6"(268)	2.67"(68)
9SDV3-1.5	3	1.5"(38.1)	42.4"(1078)					
12SDV4-1.5	3	1.5"(38.1)	52.4"(1332)					
5SDV1-2	5	2"(50.8)	24.2"(617)	3.9"(100)	8"(215)	8.3"(212)	12.8"(324)	2.67"(68)
10SDV2-2	5	2"(50.8)	34.2"(1125)					
15SDV3-2	5	2"(50.8)	44.2"(1125)					
20SDV4-2	5	2"(50.8)	54.2"(1379)					
7SDV1-2	7	2"(50.8)	25"(636)	4.0"(101)	9"(237)	10.3"(262)	12.8"(324)	2.67"(68)
14SDV2-2	7	2"(50.8)	35"(890)					
21SDV3-2	7	2"(50.8)	45"(1145)					
28SDV4-2	7	2"(50.8)	55"(1399)					
9SDV1-2.5	9	2.5"(63.5)	27"(686)	4.7"(120)	10"(273)	11.3"(287)	15.7"(400)	2.67"(68)
18SDV2-2.5	9	2.5"(63.5)	37"(940)					
27SDV3-2.5	9	2.5"(63.5)	47"(1194)					
36SDV4-2.5	9	2.5"(63.5)	57"(1448)					

Model	No. of Element	Inlet/Outlet Inch (mm)	Dimension Inch (mm)					Maximun Cartridge Diameter Inch (mm)
			A	B	C	D	E	
12SDV1-3	12	3"(76.2)	28.3"(721)	4.7"(120)	12"(318)	13.6"(346)	17.7"(442)	2.67"(68)
24SDV2-3	12	3"(76.2)	38.3"(975)					
36SDV3-3	12	3"(76.2)	48.3"(1229)					
48SDV4-3	12	3"(76.2)	58.3"(1483)					
18SDV1-3	18	3"(76.2)	30.2"(768)	5.5"(140)	14"(358)	8.7"(215)	20.1"(500)	2.67"(68)
36SDV2-3	18	3"(76.2)	40.2"(1022)					
54SDV3-3	18	3"(76.2)	50.2"(1276)					
72SDV4-3	18	3"(76.2)	60.2"(1530)					
21SDV1-4	21	4"(101)	34.1"(868)	7.8"(200)	16"(406)	9.9"(253)	23.9"(608)	2.67"(68)
42SDV2-4	21	4"(101)	44.1"(1122)					
63SDV3-4	21	4"(101)	54.1"(1376)					
84SDV4-4	21	4"(101)	64.1"(1630)					
28SDV1-4	28	4"(101)	34.6"(880)	7.8"(200)	18"(456)	11.2"(287)	25.5"(684)	2.67"(68)
56SDV2-4	28	4"(101)	44.6"(1134)					
84SDV3-4	28	4"(101)	54.6"(1388)					
112SDV4-4	28	4"(101)	64.6"(1642)					
36SDV1-6	36	6"(152)	38.8"(987)	8.6"(220)	20"(50.8)	12.9"(710)	27.9"(710)	2.67"(68)
72SDV2-6	36	6"(152)	48.8"(1241)					
108SDV3-6	36	6"(152)	58.8"(1495)					
144SDV4-6	36	6"(152)	68.8"(1749)					



Ordering Information

No. of 10" Equiv.	Product Name	Cartridge Length	Material of Construction	Inlet/Outlet Connection Size	Tri-Clamp Bracket	Code	Pressure Rating (psig)	Cartridge Type	ASME Stamp
1, 2, 3, 5, 6, 7, 9, 10..., 144	SDV	1=10" 2=20" 3=30" 4=40"	S=316SS SL=316LSS	1=1" 1.5=1.5" 2=2" 2.5=2.5" 3=3"	CB=Tri-Clamp Bracket EB=Eye Bolt Closure	Blank=None Code C=ASME Code	100 150	Code 8=222 / Fin Code 7=226 / Fin, Bayonet	Blank=None Code U=U Stamp UM=UM Stamp