

# FSB Top Entry Series Single Bag Filter Housings



## Product Introduction

Filtrafine FSB-T series top entry stainless steel single bag filter housing provides an economical filtration option with a wide range of applications such as RO Pre-filtration, waste water treatment, food and beverage and so on. The top inlet promotes more uniform flow rate delivering improved filtration results and its double o-rings sealing system enhances better sealing solution. The FSB-T series is designed with a proven swing eye bolt closure mechanism to ensure sealing. FSB-T series filter housing is constructed of 304, 316 or 316L stainless steel material and its fine finish gives excellent resistance of corrosion for product purity. FSB-T series has adjustable lags which provide flexibility for installation orientation and height.

- Extra electro-polish finish for special requirement (optional)
- Manufactured under a certified ISO 9001 quality system

## Product Specifications

### Materials of Construction

- Head: 304 or 316 Stainless Steel
- Shell: 304 or 316 Stainless Steel
- Internal Components: 304 or 316 Stainless Steel
- Shell O-rings: EPDM (standard)  
Silicone, Teflon Encapsulated Viton, Viton (optional)

### Dimensions

- Inlet/Outlet:  
1" for Size 3 and Size 4 Housing  
2" for Size 1 and Size 2 Housing
- Connection Types: ANSI, JIS, and DIN Flange  
NPT, BSP and PT Thread
- Vent : 1/4" NPT

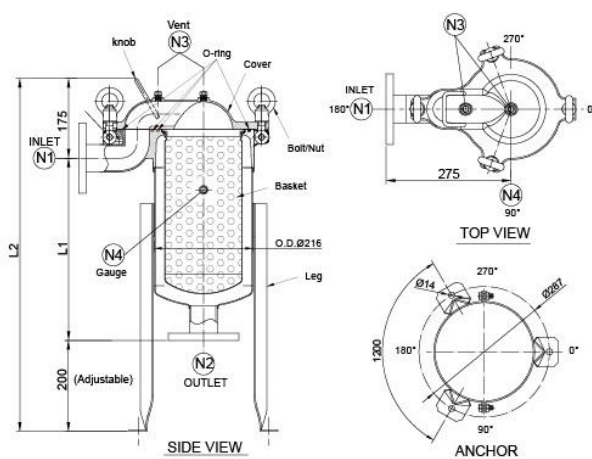
## Performance Specifications

### Maximum Operating Pressure

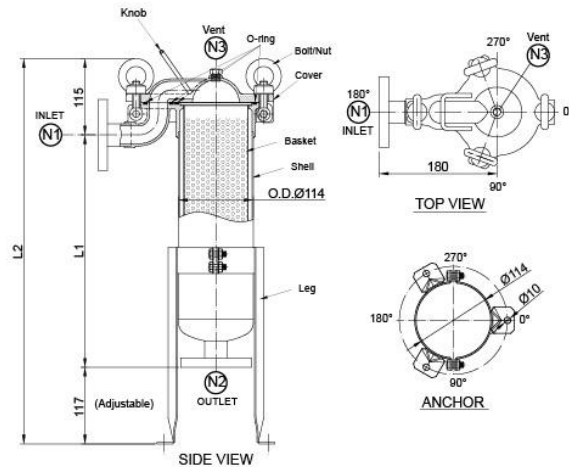
150 psig (10.3 bar) @ 77°F (25°C) in liquid service



Model	Max. Liquid Flow Rate gpm (m <sup>3</sup> / hr)	Dimension	
		L1 Inch (mm)	L2 Inch (mm)
FSB1-T-2	90(20)	15.7"(401)	30.5"(776)
FSB2-T-2	180(40)	30.1"(766)	44.9"(1141)
FSB3-T-1	25(5.5)	7.9"(201)	19.3"(491)
FSB4-T-1	50(11)	14"(356)	25.4"(646)



Size 1 & Size 2 Bag Filter Housing



Size 3 & Size 4 Bag Filter Housing

## Ordering Information

Product Name	Bag Size	Material of Construction	Bag Housing Type	Inlet/Outlet Connection Size	Connection Type	Option
FSB	1=01 2=02 3=03 4=04	A=304SS S=316SS	T=Top-Entry	1", 2"	FA=ANSI Flange FJ=JIS Flange FD=DIN Flange TN=NPT Thread TP=PT Thread TB=BSP Thread	EP=Electro-polished